

# MITY MOTORS, INC.

---

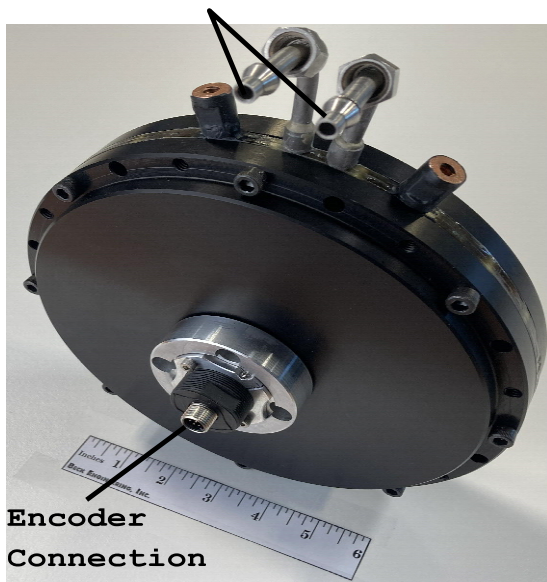
## MM25: 25-hp (19-kW) Power-Dense and Efficient Electric Motor/Generator

Date: 9 October 2023 (data are subject to updates).

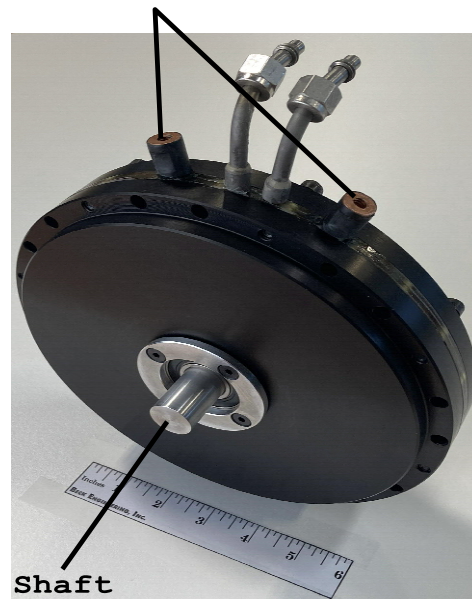
### Contact:

Douglas S. Beck, President  
Mity Motors, Inc.  
9684 Bujacich Rd, Building A, Suite B  
Gig Harbor, WA 98332-8477  
Tel: 253-432-6754  
Email: [dbeck23@aol.com](mailto:dbeck23@aol.com)  
Web: [www.mitymotors.com](http://www.mitymotors.com)

1/4 Swagelok (TM)  
Connections for  
Coolant Inlet/Outlet



1/4-20 Threads for Connection to  
Motor Controller or  
Generator Load



### Product Features:

- Operates as a motor (with MM25C controller) or generator.
- Highly-scalable design, from milliwatts to megawatts.
- Liquid cooled.
- RPM specification via USB serial connection.
- Data available to flight controller:
  - Measured RPM.
  - 4 temperatures.

---

9684 Bujacich Rd, Bldg A, Ste B, Gig Harbor WA 98332-8477

Tel: 253-432-6754; Email: [dbeck23@aol.com](mailto:dbeck23@aol.com); Web: [www.mitymotors.com](http://www.mitymotors.com)

## Applications:

- From the ocean floors to deep space, and everything in between.
- Unmanned Aerial Vehicles (UAVs) and other aircraft.
- Electric Vehicles (EVs) and other ground vehicles.
- Unmanned Underwater Vehicles (UUVs) and other watercraft.
- Power generation (including wind turbines and hydroelectric power).
- Industrial motors.

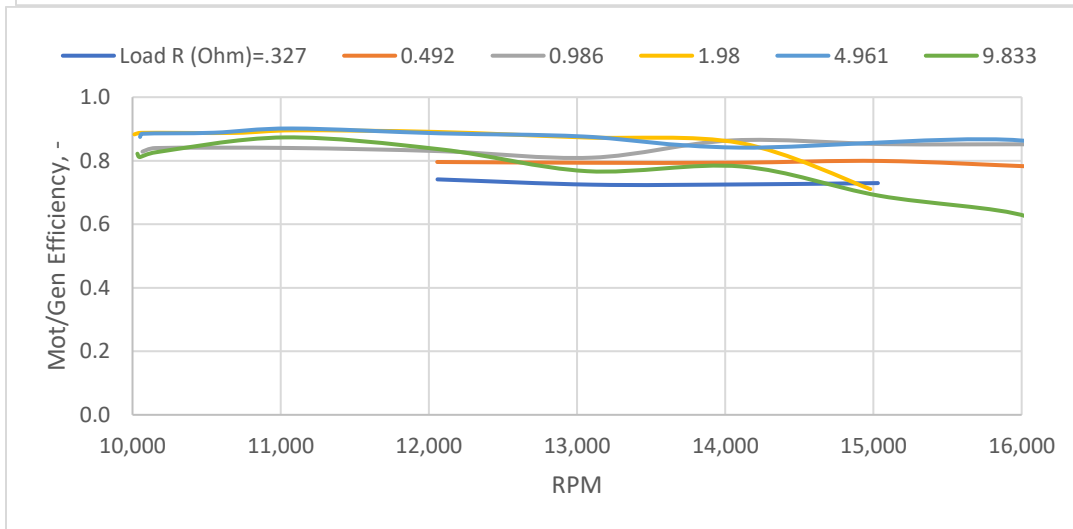
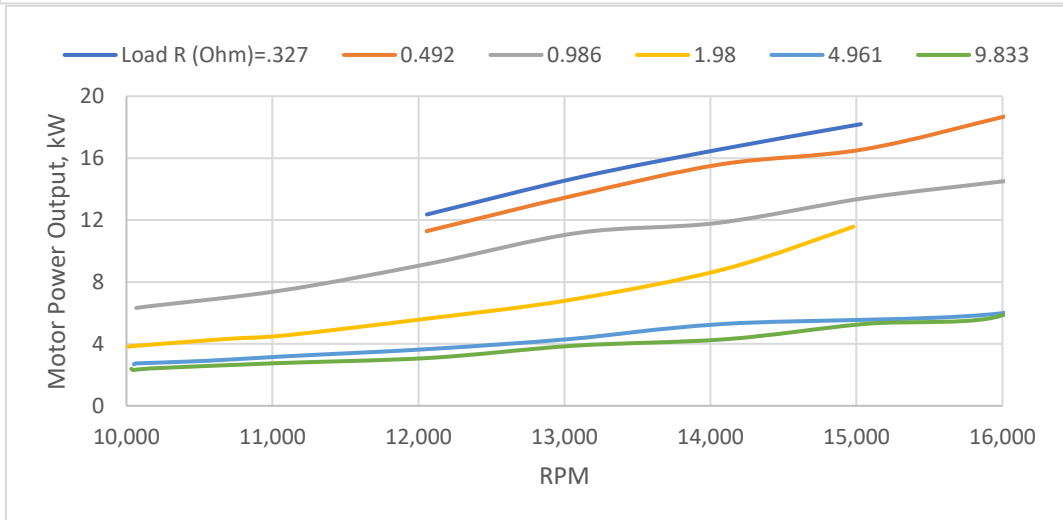
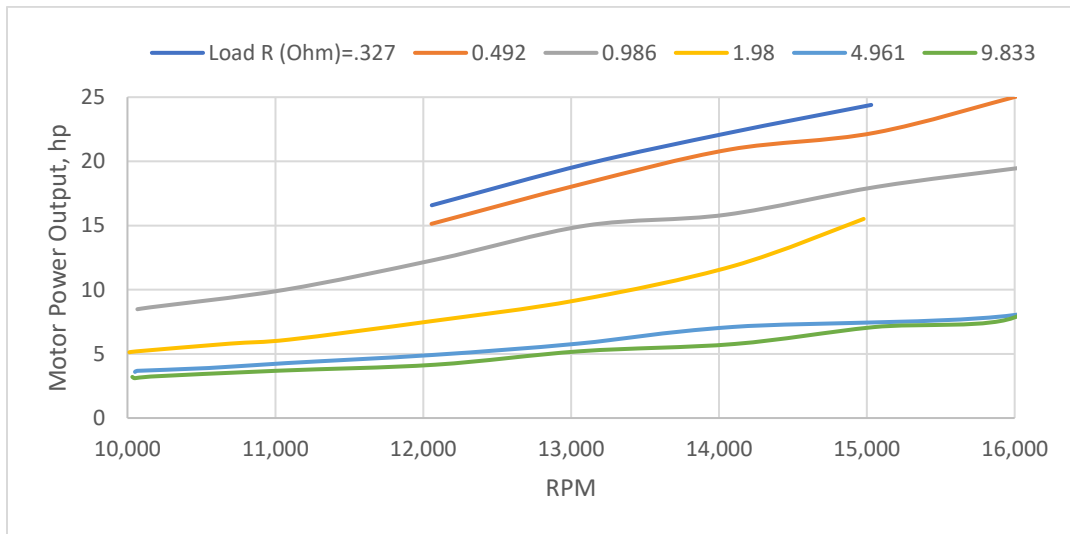
## Minimum Electrical Requirements:

- 200 VDC.
- 100 A.

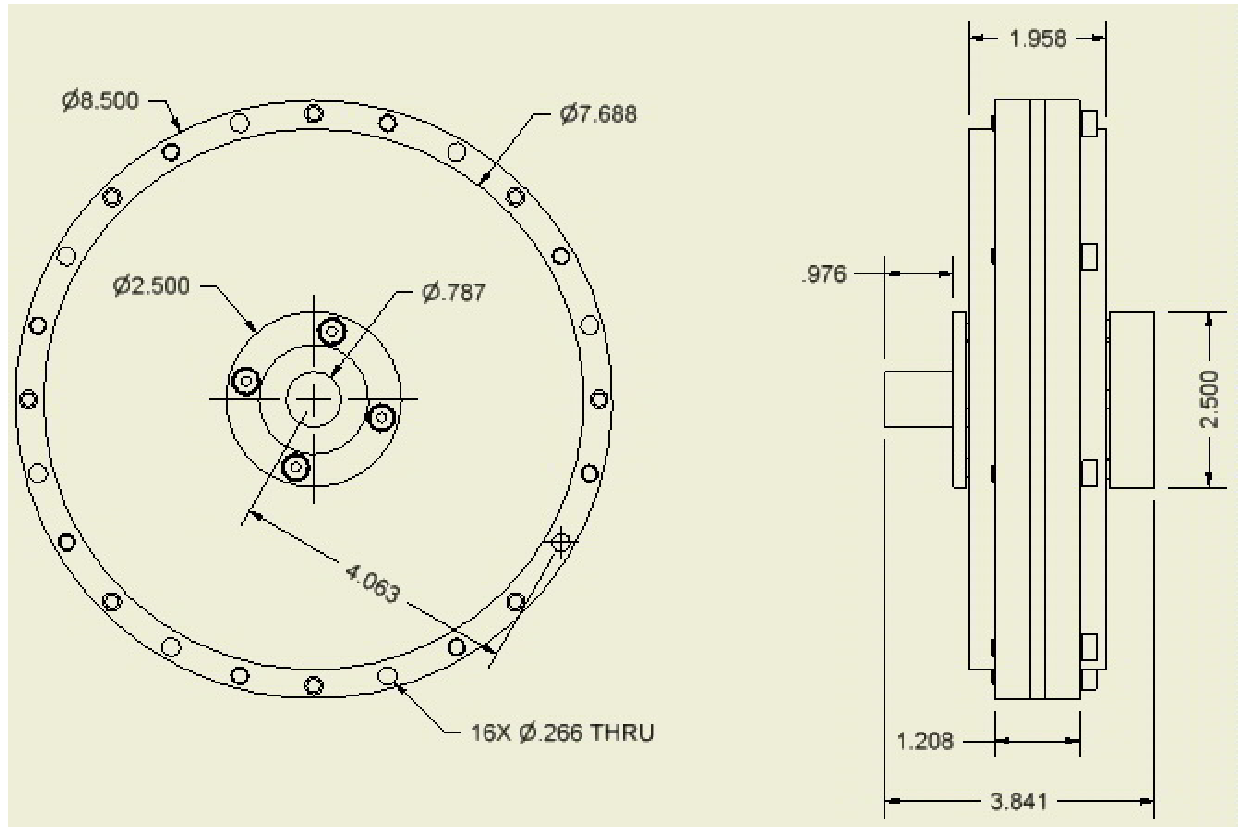
## Cooling Requirements:

- 0.47 gpm (1.8 liters/min) water or ethylene glycol.

## Measured Continuous Performance Data:



## Dimensions (inches):



- Weight: 10.1 lb (4.6 kg).
- Future 25-hp models less than 5 lb (2.3 kg).

## Motors/Generators in Development:

- 70 hp (52 kW), air cooled and liquid cooled.
- 200 hp (149 kW), air cooled and liquid cooled.
- 1,341 hp (1 MW), air cooled and liquid cooled.

## Projected Performances of Future Models:

